

Glass Press Series

Model GP-5000

Description

The Glass Press (GP) by DTI-Precision Glass Molding is a fully enclosed, compact press designed for compression molding of optical elements. It is a cost-effective means for rapid product development and low production volumes.

The press features a fully enclosed design that incorporates a vacuum and inert gas purging system for controlled environment processing. Programmable feedback controls provide high precision position, force, heating and cooling profiles throughout the molding process.



Actuation and Controls

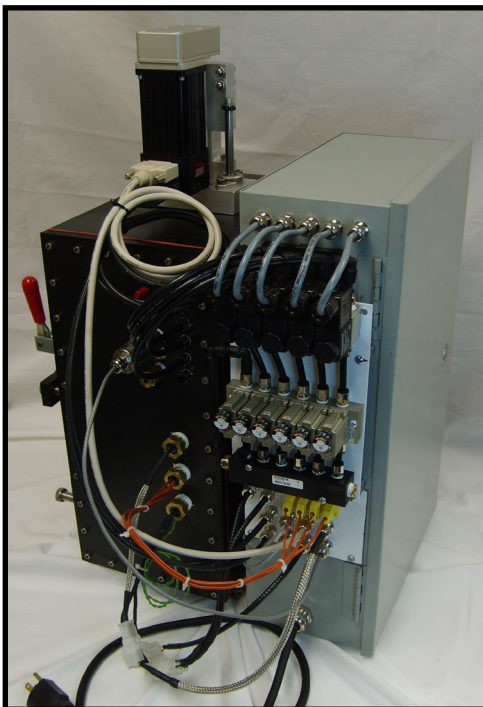
The GP-5000 model utilizes a precision electric actuator capable of delivering up to 500 lbs. of thrust. The feedback controls are user programmable and include precision position control, load control, temperature control and fluid process control utilizing vacuum and pressure.

Tooling

Project specific tooling is typically supplied by DTI. In-house tool design allows delivery in 8-10 weeks from receipt of the optical elements design.

Automation

Automatic operation is available with an optional loading station that is integrated with the inert environment chamber.

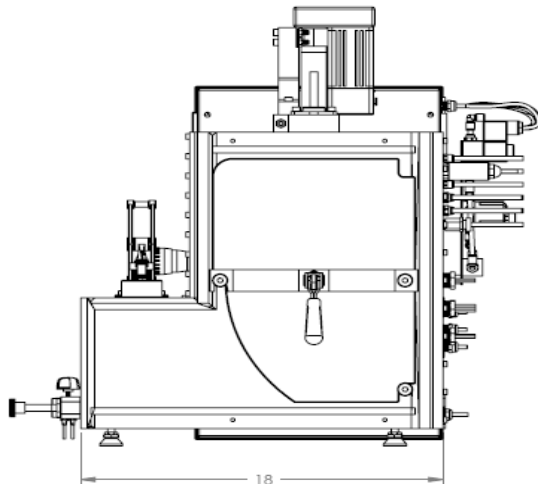
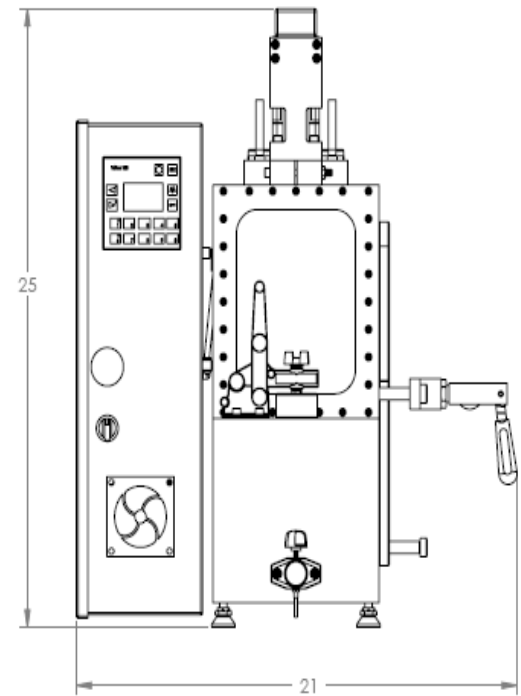


Glass Press Series

Model GP-5000

Specifications

Max Heating Temperature	Continuous operation temp. to 675°C (1200°F) with intermittent operating periods achieving up to 815°C (1500°F)
Maximum Pressing Force	500 lbs. (2.2 kN)
Maximum Mold Diameter	1 inch (25 mm)
Translational Control	± 10 µm
Cooling Controls	Nitrogen Gas Controlled Cooling Programmable Logic Control (PLC)
Temperature Instrumentation	4 x PID Thermal Couple Feedback
Load Instrumentation	1,000 lbs ± .25
Actuator	DC Servomotor
Stroke	4 in (10.2 cm)
Speed / Load	2.5 in/sec (6.35 cm/sec) Velocity, Acceleration, Torque Controllable
Mold Positioning Instrumentation	Encoder
Dimensions	
Height	25 in (63.5 cm)
Width	21 in (53.3 cm)
Depth	18 in (45.7 cm)
Weight	180 lbs (72.6 Kg)
Options	- Auto Load Station - Higher Force Capacity - Mold Tooling



Ordering Information

To request further information, please contact us below or fill out a request on the dti-pgm.com page.

www.dti-pgm.com

(Email) sales@dti-pgm.com